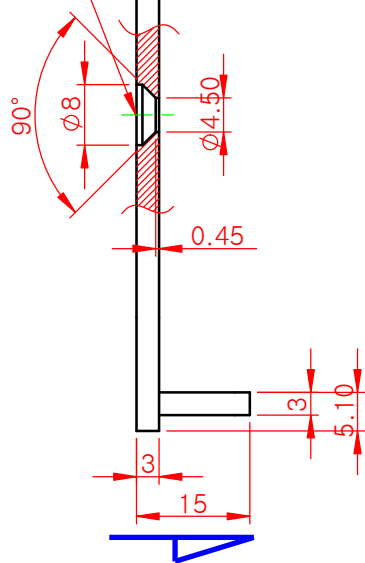
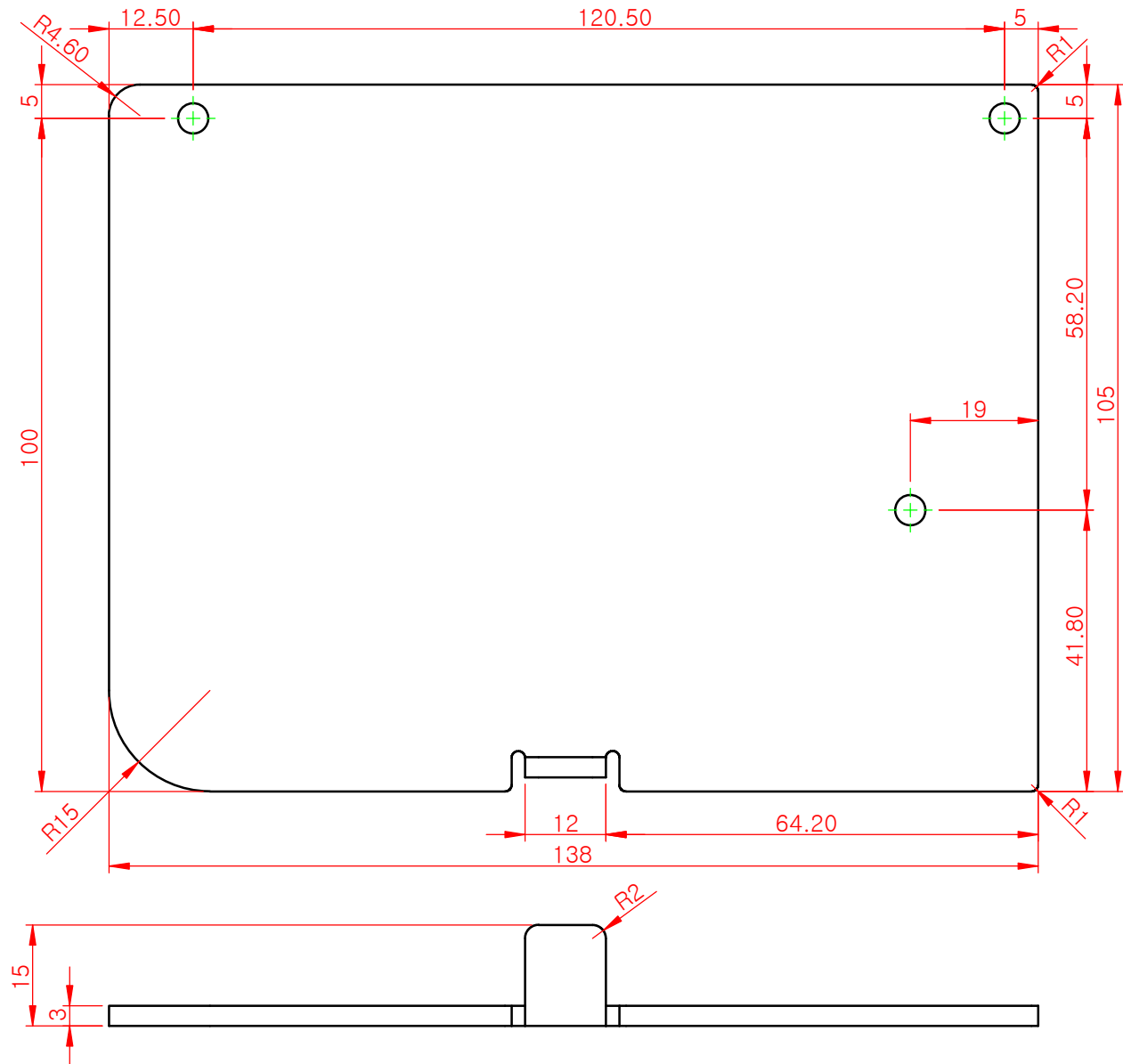


Same size for  
3 locations



BURR Direction



<NOTE>

- 1) Attention to burr direction
- 2) Material: SS400 / White galvanized

01	WC Type left Side Bracket						
NO.	NOMENCLATURE	MATERIAL	Q.ty	SPECIFICATION	TREAT	REMARKS	
A M E N D				THIRD ANGLE DRAW.	SCALE 1:1	2024.03.20.	
	DATE	CODE	MEMO	SIGN	REF. NO.		
DRAW.	DESIGN	DET.CHE.	APPRO	NAME WC Type left Side Bracket			
C.M.S.							
						FILE NAME	A4